



VIDEO INTERCOM

max

7" TOUCHSCREEN IP MONITOR
REF.1717/31

- Wall or flush mount
- 2Mpx Camera
- Double input LAN and Wi-Fi
- Integrated management of Yokis radio building automation
- Possibility of managing building automation by other manufacturers



max

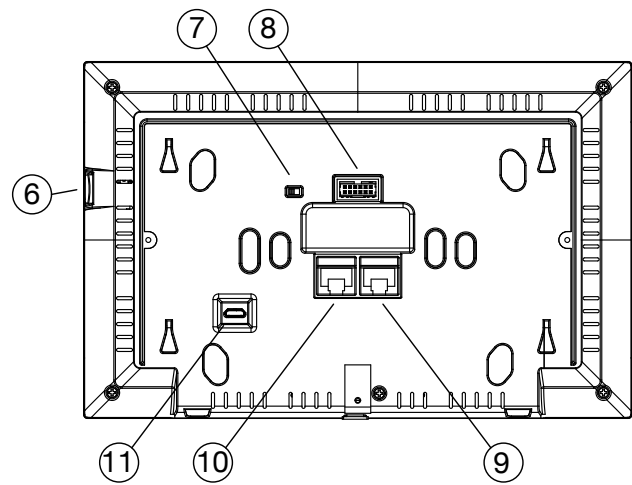
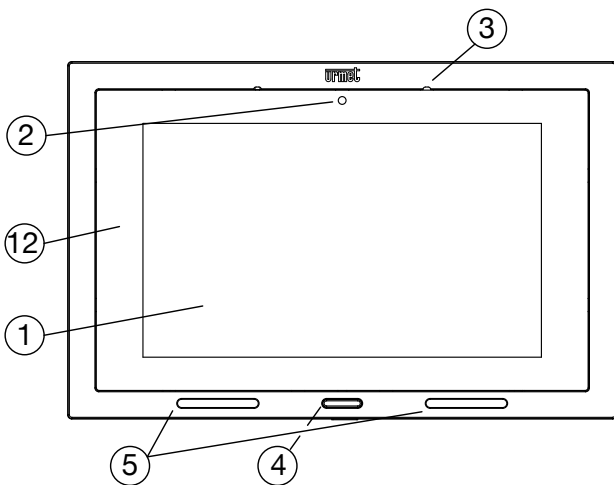
7" TOUCHSCREEN IP MONITOR

REF.1717/31



Main features:

- Wall or flush mount
- 7" touchscreen display with resolution 1024 x 600
- Backlit Home button for notifications
- Full duplex audio
- 2Mpx Camera
- Double input LAN and Wi-Fi
- MicroSD card slot
- MUTE function with timing
- Integrated management of Yokis radio building automation
- Management of IperHome building automation
- Output for automatic recall
- Floor call input and alarm input
- Possibility of managing building automation by other manufacturers
- Audio-video call services
- CCTV function on IP video cameras
- Image capture function
- Chat with other monitors
- Voice messaging
- Built in mifare reader
- Music player with possibility of using mp3 files as ring tones
- Brightness adjustment
- Volume adjustment for audio and ring tones
- Customisable background
- Language selection
- Home page selection
- Web browser
- E-mail client
- Name directory
- Video codec H264 and audio codec G711
- Compliant with SIP and RTSP standards
- Dimensions: 208 x 134 x 19 mm - 8,18 x 5,27 x 0,74 in (9 mm - 0,35 in in thickness for the flush-mounted version)



COMPONENT DESCRIPTION:

1. 7" touchscreen display
2. 2 Mpx webcam
3. Microphone
4. Blue backlit Home button
5. Loudspeakers
6. Micro SD
7. Switch for IPerHome bus termination
8. 12-way connector for printed circuit, for external connections
9. Secondary LAN connector for IPerHome Internet connection (LOCAL LAN PORT)
10. IPerVoice LAN connector with POE power unit (DOORPHONE POE PORT)
11. Micro USB connector for Eeprom programming (for future developments)
12. Mifare proximity key reader