



The new PK80 reader is a 2-SMART pin and prox reader developed for the advanced scalable access controller iPassan. This 2-SMART reader is based on our own protocol and offers unique security and features such as double authentication with proximity key and pin code. With its modern design it can easily be integrated in your commercial and residential projects. In addition to the RFID Mifare® technology, this reader offers the possibility to work with Bluetooth virtual credentials and code.

Main features



- ∞ High security and easy installation with the 2 wire output and encrypted bus
- ∞ Proximity reader Mifare® Classic and Mifare® Plus (128 bit AES encryption)
- ∞ Secured Bluetooth reading technology for access with virtual credentials
- ∞ LED indicators
- ∞ Surface mount with terminal output – IP65 (subject to compliance with the installation instructions)
- ∞ Online and remote upgradable firmware



Power Supply

The PK80 reader is powered by the controller.

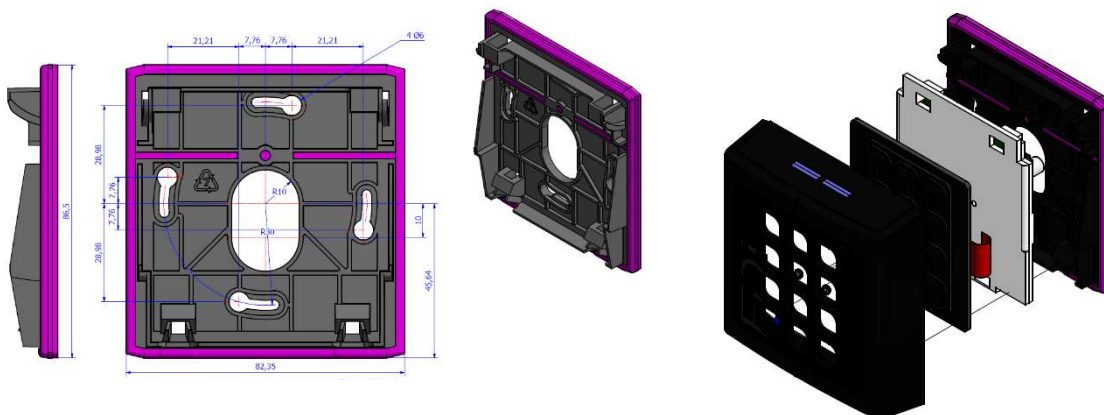
Connectivity

The 2-SMART reader is connected via 2 wires and enables permanent bi-directional communication (FDI protocol) with the IPassan controller. The controller knows in real time if the reader is connected.

Firmware upgrade

The firmware of the PK80 reader can be updated using the IPassan Manager software.

Wall mount installation



Technical Specifications

Power Supply	
Operating Voltage	12V supplied by the controller via the 2 wire connection
Outputs	
2-SMART output	2 wires
Max cable distance	100 m - 8/10 AWG20
Frequency	13.56 MHz (MIFARE Classic, MIFARE Plus® and Desfire) + Bluetooth Low Energy (BLE)
Reading Range	
MIFARE Classic	Up to 40mm
BLE	According to the setting
Keypad	
Material	Elastomer
Backlight	Blue
DDA compliant	Embossment on key 5
LEDs	
3 colours	Management with the access control software
Temperature	
Operating	-20°C to 60°C
Storage	-20°C to 70°C
Humidity	85 RH max
Dimensions	
Dimensions (L x W x H)	90mm x 85mm x 25 mm
Weight	85g

FD-020-222 Data sheet-A

Disclaimer: Whilst every effort has been made to ensure accuracy in the representation of this product, neither FDI MATELEC nor its employees, shall be liable under any circumstances to any party in respect of decisions or actions they may make as a result of using this information. In accordance with the FDI MATELEC policy of enhanced development, design and specifications are subject to change without notice.