



The new P80 reader is a 2-SMART reader developed for the advanced scalable access controller iPassan. This 2-SMART reader is based on our own protocol and offers unique security and features. With its modern design it can easily be integrated in your commercial and residential projects. In addition to the RFID Mifare® technology, this reader offers the possibility to work with Bluetooth virtual credentials.

## Main features



- ∞ High security and easy installation with the 2 wire output and encrypted bus
- ∞ Proximity reader Mifare® Classic and Mifare® Plus (128 bit AES encryption)
- ∞ Secured Bluetooth reading technology for access with virtual credentials
- ∞ LED indicators
- ∞ Surface mount with terminal output – IP65 (subject to compliance with the installation instructions)
- ∞ Online and remote upgradable firmware



## Power Supply

The P80 reader is powered by the controller.

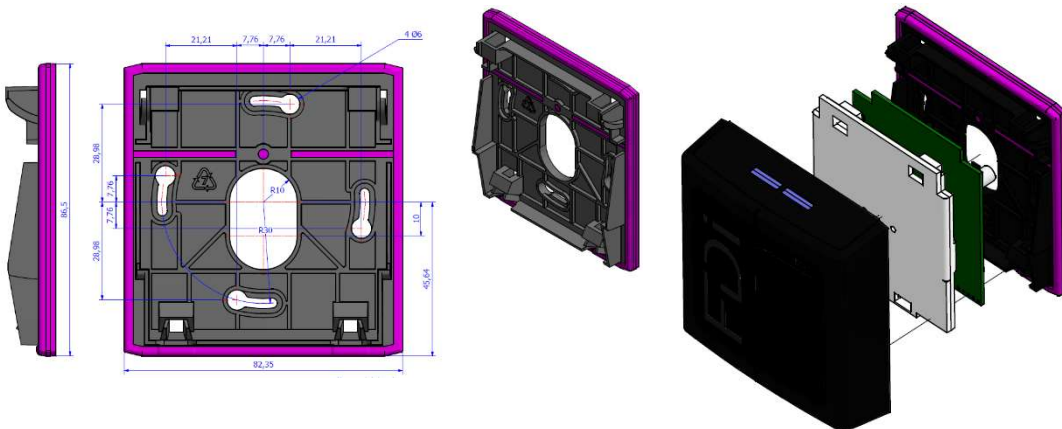
## Connectivity

The 2-SMART reader is connected via 2 wires and enables permanent bi-directional communication (FDI protocol) with the IPassan controller. The controller knows in real time if the reader is connected.

## Firmware upgrade

The firmware of the P80 reader can be updated using the IPassan Manager software.

## Wall mount installation



## Technical Specifications

<b>Power Supply</b>	
Operating Voltage	12V supplied by the controller via the 2 wire connection
<b>Outputs</b>	
2-SMART output	2 wires
Max cable distance	100 m - 8/10 AWG20
Frequency	13.56 MHz (MIFARE Classic, MIFARE Plus® and Desfire) + Bluetooth Low Energy (BLE)
<b>Reading Range</b>	
MIFARE Classic	Up to 40mm
BLE	According to the setting
<b>LEDs</b>	
3 colours	Management with the access control software
<b>Temperature</b>	
Operating	-20°C to 60°C
Storage	-20°C to 70°C
Humidity	85 RH max
<b>Dimensions</b>	
Dimensions (L x W x H)	90mm x 85mm x 25 mm
Weight	85g

### FD-020-221 Data sheet-A

Disclaimer: Whilst every effort has been made to ensure accuracy in the representation of this product, neither FDI MATELEC nor its employees, shall be liable under any circumstances to any party in respect of decisions or actions they may make as a result of using this information. In accordance with the FDI MATELEC policy of enhanced development, design and specifications are subject to change without notice.